



Deals In:-

Supply, Installation, Commissioning & AMC of Elevators



**Approved by Government to work at NATIONAL
CAPITAL TERRITORY OF DELHI**



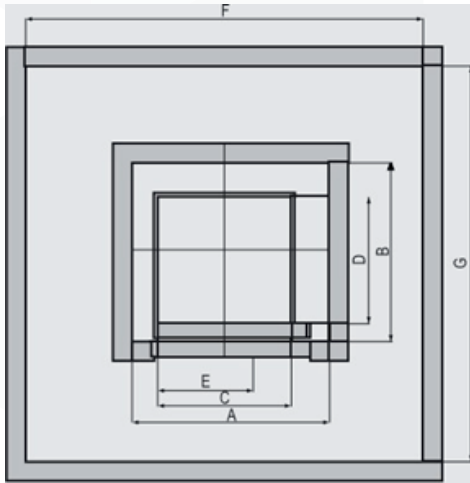
ISO : 9001:2015 Certified Company

Manual Door

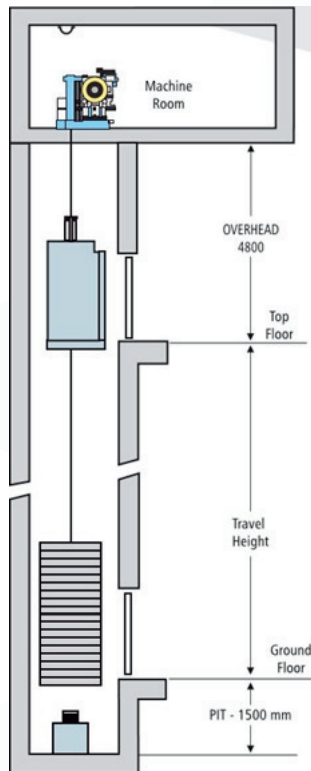
(Passenger Elevator)

Capacity 04 to 15 Passenger

Hoistway Machine Room Plan For Manual Door



Hoistway Elevation Drawing



Hoist Way Machine Room Size Passenger Elevator with Manually Operated Doors.

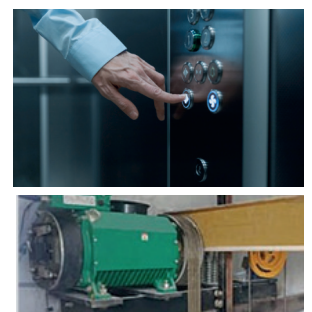
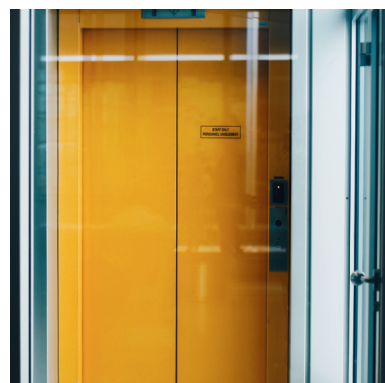
Load		Lift Well		Car Inside		Entrance	Machine Room			
Person	Weight	Width	Depth	Width	Depth		Width	Depth	Height	Pit
IN KG.		A	B	C	D	E	F	G	H	
4	272	1400	1300	800	950	700	1400	1800	2200	1500
5	340	1500	1300	900	1000	700	1500	1800	2200	1500
6	408	1600	1500	1000	1100	700	1600	1800	2200	1500
7	476	1600	1600	1000	1200	700	1600	1800	2200	1500
8	544	1500	1700	1100	1300	800	1800	2000	2300	1500
9	612	1900	1700	1200	1300	800	1900	1900	2200	1500
10	680	1900	1900	1250	1300	800	1900	2100	2300	1500
13	884	1900	2400	1100	2000	800	1900	2800	2400	1500
15	1020	2000	2400	1200	2000	900	2000	2800	2400	1600
20	1360	2460	2650	1600	2300	1000	2460	2650	2400	1600

All Dimension are in mm.

This is General Data, it may be changed without notice.

All hoist way walls should be minimum 230 mm brick or 150 mm R. C. C.

Capacity 06 to 18 Passenger



MRL Elevator

Machine Roomless Elevator

Brings you a revolutionary concept in the field of elevators to give you absolute freedom in designing MRL -Machine Room Less Elevators! Our exclusive Machine room less elevators brings aesthetic enhancements for your structure.

Advantages

- Latest Technology in The World
- Smoothest Travel
- Absolute Freedom in Building Designs
- Substantial Saving On Electricity Cost
- Save The Construction Cost
- More Safe

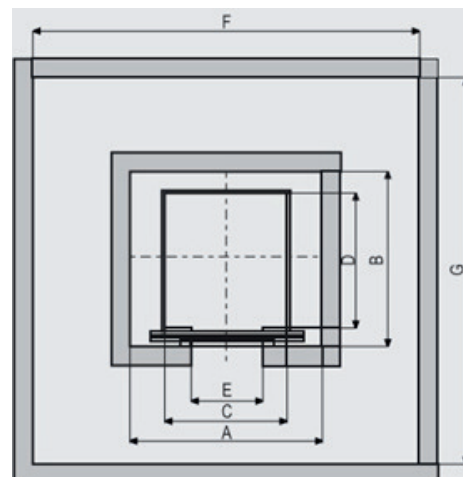
AutoDoor

(Passanger Elevator)

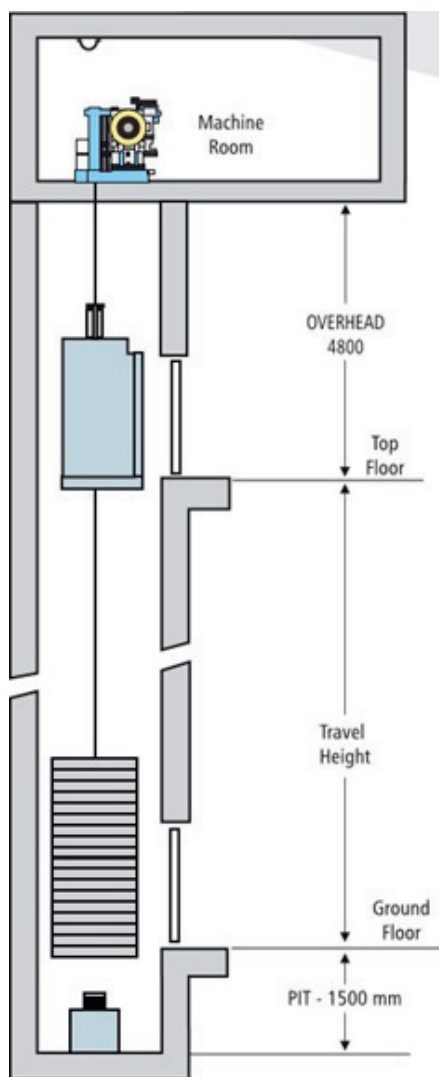
Capacity 04 to 20 Passanger



Hoistway Machine Room Plan For Auto Door



Hoistway Elevation Drawing



Hoist Way Machine Room Size Passenger Lifts with Auto Doors.

Load		Lift Well		Car Inside		Entrance	Auto Door (MRL)	
Person	Weight	Width	Depth	Width	Depth		Pit	O.H.
	IN KG.	A	B	C	D	E		
4	272	1400	1300	800	950	700	1500	4300
5	340	1500	1300	900	1000	700	1500	4300
6	408	1600	1500	1000	1100	700	1500	4400
7	476	1600	1600	1000	1200	700	1500	4400
8	544	1800	1700	1100	1300	800	1500	4400
9	612	1900	1700	1200	1300	800	1500	4400
10	680	1900	1900	1250	1300	800	1500	4500
13	884	1900	2400	1100	2000	800	1500	4600
15	1020	2000	2400	1200	2000	900	1600	4800
20	1360	2500	2800	1600	2300	1000	1600	4800

All Dimension are in mm.
This is General Data, it may be changed without notice.
All hoist way walls should be minimum 230 mm brick or 150 mm R. C. C.

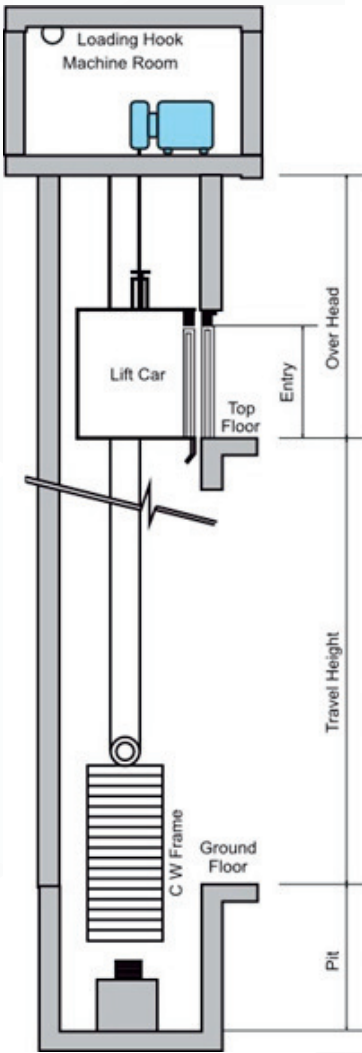


More Energy Efficient

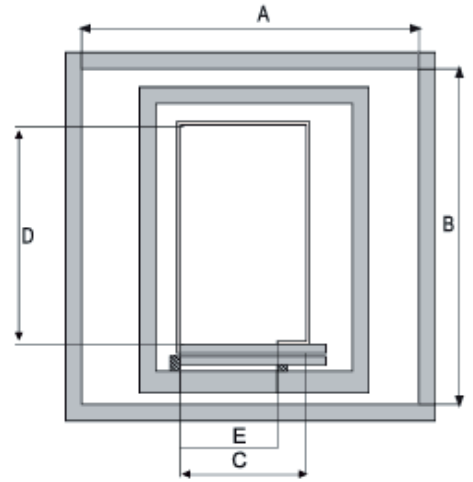
MRL Gearless Machine

Hospital Elevator

Hoistway Elevation Drawing



Hoistway Elevation Plan



Hoist Way Machine Room Size Hospital Elevator

Automatic Center Opening Door

Automatic Telescopic Door

LOAD	LIFT WELL		CAR INSIDE		ENTRANCE	SHAFT		CAR	
WEIGHT IN KG	WIDTH A	DEPTH B	WIDTH C	DEPTH D	E	WIDTH F	DEPTH G	PIT	O.H.
884	1800	2400	1100	2000	800	1800	2400	1100	2000
1020	1900	2800	1150	2400	900	1900	2800	1150	2400
1360	2000	2800	1200	2400	1000	2000	2800	1200	2400
1768	2400	3000	1500	2400	1000	2400	3000	1500	2400

All Dimension are in mm. This is General Data, it may be changed without notice.



Car Stacker Parking



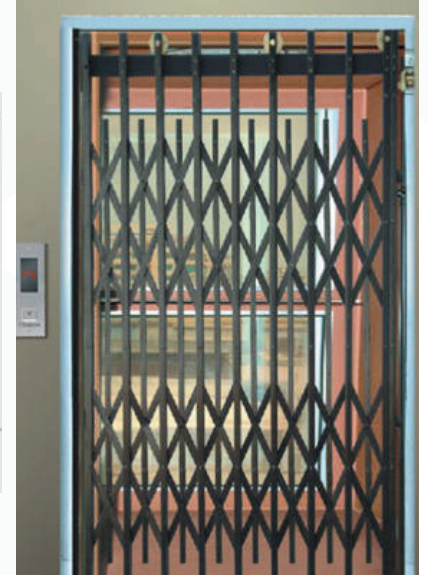
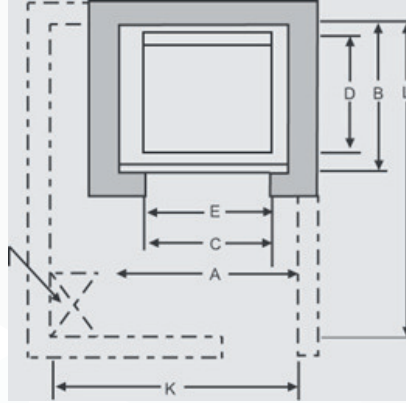
Automobile Elevator



500 to 3000 Kg. Load Capacity

Goods Elevator

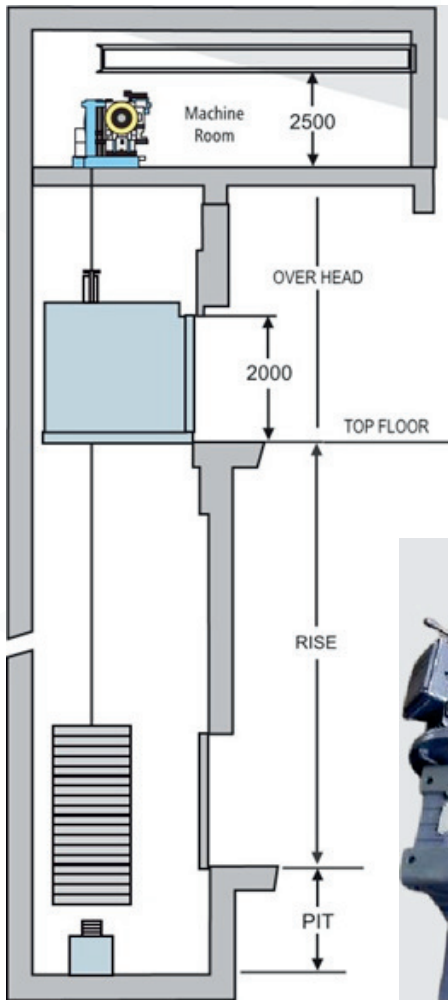
500 to 5000 kgs Load Capacity



STURDY AND DURABLE :
Cabin is made of highly intensified shaped materials, able to carry various kind of cargo.

ACCURATE LEVELING :
The Accuracy of Leveling can be controlled with in a scope of several millimeter.

LARGE DOOR WIDTH :
Multiple folded cabindoor structure is employed to reach the max width which facilitate the Entry of Large cargo.



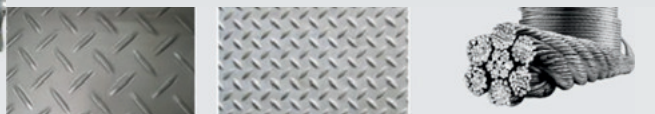
LOAD IN KG	LIFT WELL		CAR INSIDE		ENTRANCE	MACHINE ROOM			
	WIDTH A	DEPTH B	WIDTH C	DEPTH D	E	WIDTH F	DEPTH G	PIT	O.H.
500	1600	1500	1100	1200	1000	1600	1800	1500	4000
750	1600	1700	1100	1350	1000	1600	1800	1500	4000
100	2100	2100	1400	800	1200	2100	2500	1500	4000
1500	2500	2300	1700	2000	1500	2500	2500	1500	4000
2000	2700	2600	1900	2300	1800	2700	2600	1500	4200
2500	3100	3000	2000	2400	2000	3100	3000	1600	4200
3000	3400	3000	2100	2400	2250	3400	3000	1600	4500

All Dimension are in mm. This is General Data, without notice.



Technical Data :

Cwt Type Lift	
Description	Vertical Transportation for Cars/ LMVs
Segment	Industrial applications & Car Parks
Max. travel (m)	100 (Solutions available for higher travel)
Max. load (kg)	500 - 3000 Kg (Solutions available for higher capacities)
Max. speed (m/s)	0.5 mps (Solutions available for other speeds)
Max. group size	Duplex



Hoistway Elevation Plan

Capacity 03 to 04 Passanger

Home Elevator

Change Your Lifestyle with best Home Lift

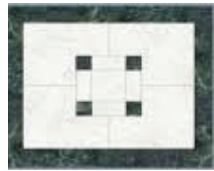


Ceiling



LED Light

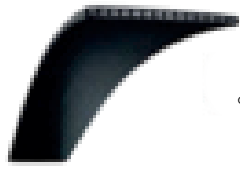
Handrail



Flooring



Belt Type Machine



Belt



Gearless Machine



Low Noise



No Machine Room



Compact Designs



Gearless

Up to **30%**
Power Saving



Comfortable



Low Noise

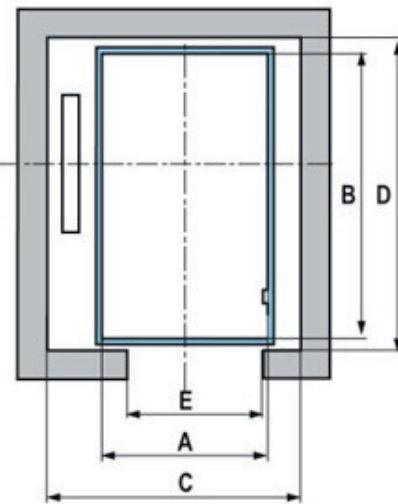


Save Energy

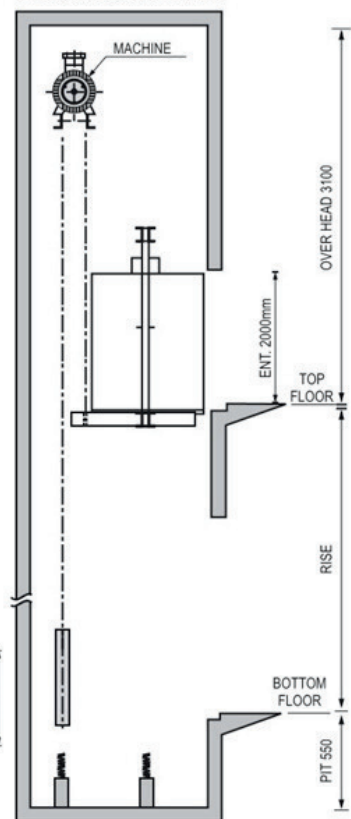
Dimensions Table

Door Operation	Load		Lift Well		Car Inside		Entrance	Speed (MPS)	Pit	Over Head
	Persons	KGS	C	D	A	B				
Manual Door	3	204	1100	1200	810	700	700	0.3	550	3100
Manual Door	4	272	1300	1400	800	1200	700	0.3	550	3100
Auto Door	3	204	1250	1250	810	700	700	0.3	550	3100
Auto Door	4	272	1300	1600	850	1150	700	0.3	550	3100

Note : This Is Our Standard Data, If other Special Requirement Please Contact us.



HOISTWAY ELEVATION PLAN



Elevator Control Panel



VVVF Drive



Arkel



Integrated Lift Controller



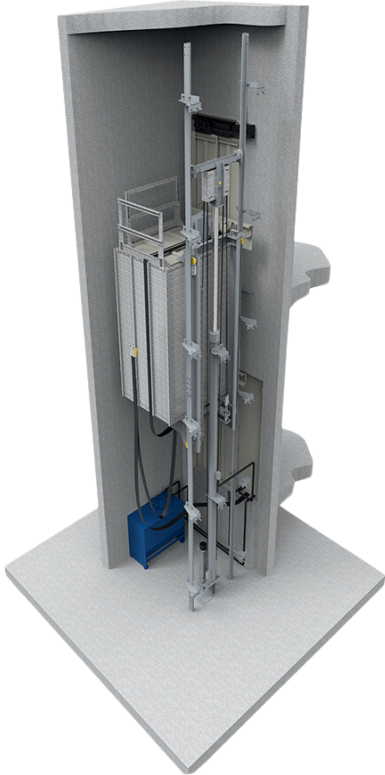
Hydraulic Lift Controller



MRL Integrated Controller

Hydraulic Elevator

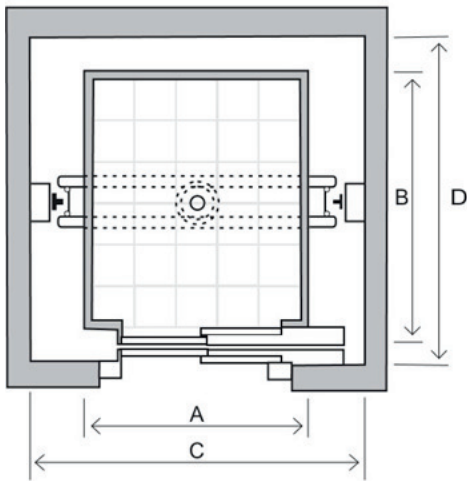
Capacity 03 to 24 Passanger



Suspension with a split piston.

LOAD	LIFT WELL		CAR INSIDE		ENTRANCE	O/H	ENTRANCE TELESCOIP	CENTRE OPENING
WEIGHT IN KG	WIDTH A	DEPTH B	WIDTH C	DEPTH D	PIT E			
204	1400	1200	11100	600	300	3300	700	
272	1400	1300	1100	700	300	3300	700	
340	1500	1350	1200	750	300	3300		700
408	1500	1500	1200	900	300	3500		700
544	1500	1800	1200	1200	300	3500		700
680	1800	1800	1400	1200	500	3800		800
884	1800	2100	1400	1400	500	3800		800
1088	2000	2400	1500	1600	800	4000		900

All Dimension are in mm. This is General Data, without notice.



Omar Hydraulic Power Pack

Geared Traction Machine

Gearless Traction Machine



Sharp



Heena



Montanari



Sharp



Mona Drive



Montanari

Doors

Manual Door



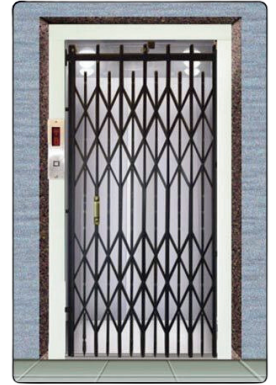
M.S. Two Fold Telescopic Door



M.S. Swing Door



Imperforated Door



Collapsible Door

A wide Choice of Durable Interior Materials

Automatic Door



Centre opening Glass Auto Door



Centre opening Glass Auto Door (Four Panel)

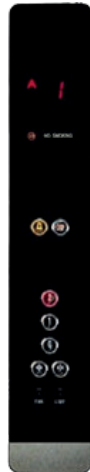


Centre opening Glass Door (Small Vision)



Plain S.S. Auto Door

COP & LOP



Horizontal Display Effect



Segment type LED position / Direction Indicator



ISO CERTIFICATE



Certificate of Registration

This is to certify that

ECS LIFTS ENTERPRISES

at

E-159, Sector 23, Sanjay Nagar, Ghaziabad -201001, Uttar Pradesh, INDIA

Has been assessed by Optimum Certifications Inc. and found to be in compliance with meeting the requirements of:

ISO 9001:2015

Quality Management System

For the following scope of activities:

“Installation, Modernization and AMC of Passenger Lift, Goods Lift, Hospital Lift, Hydraulic Lift, Dumbwaiter & Capsule Lift”


Date of Certification: 18th May 2023 2nd Surveillance Due: 17th May 2025

1st Surveillance Due: 17th May 2024 Certificate Expiry: 17th May 2026

(subject to the company maintaining its system to the required standard)

Certificate Number: QMS/23N561

Validity of this certificate can be verified at www.ocicert.com


Authorised Signatory



Optimum Certifications Inc.

Validity of This Certificate is Successful Annual Surveillance Audit To Be Done.
This Certificate is The Property of Optimum Certifications Inc. Shall Be Returned Immediately Upon Request,
Optimum Certifications Inc. is Accreditation by UK SAF Limited (www.uksaf.org.uk)
Suite 19, Regent Court, 70 West Regent Street, Glasgow, Scotland, G2 2QZ
E-mail: ocicert@gmail.com Web: www.ocicert.com

Our Company Licence

Form No-B
(See Condition 5)

Application No.: 50590000005561



GOVERNMENT OF NATIONAL CAPITAL TERRITORY OF DELHI
Labour Department
5-Sham Nath Marg, Delhi-110054

LICENCE TO ELECTRICAL CONTRACTORS

With terms and conditions as notified vide Notification No. ED4(Misc-38)/Lab-EI/2016/381 Dated 27.01.2017

M/s **ECS LIFTS ENTERPRISES** having its premises situated at **PLOT NO 308, STREET NO-19, PHASE-7, SHIV VIHAR KARAWAL NAGAR SABHAPUR DELHI 110094** and represented through its **Proprietor Mr AJAZ KHAN** bearing Aadhaar No. *******3532** is hereby licensed to carry out electrical installation work in the National Capital Territory of Delhi, subject to the Terms and Conditions mentioned below.

S.No	Details of Amount Deposited	Date of Deposit	Licence Valid	
			From	To
1	5000.00	23/01/2023	24/01/2023	23/01/2048

TERMS AND CONDITIONS

This license is granted on the following terms and conditions:

- 1.The license shall be submitted for renewal at least one month before its expiry along with the renewal fee.
- 2.All electrical installation works undertaken by the contractor shall be carried out under the direct supervision of a person holding a Certificate of Competency Class-I (Electrical Supervisor) and by a person holding or deemed to be holding a Certificate of Competency Class-II (Electrician) issued or recognized by the Government of National Capital Territory of Delhi.
- 3.All electrical installation works carried out by the contractor shall be in conformity of the provisions of all relevant Acts, rules and regulations made their under.
- 4.The Licensee shall possess the necessary relevant testing instruments i.e. Insulation Tester, Earth Resistance Tester, Volt-Meter, Am- Meter, multimeter etc. for testing purposes.These instruments shall be available with the contractor and shall be in working condition.
- 5.The Licensee shall maintain registers of works undertaken and the wiring staff employed/ engaged. These registers shall be produced on demand.
- 6.The license may be cancelled or revoked or suspended for breach of any of the above terms and conditions of license.



Digitally signed by UMESH KUMAR RAI
Reason: Desg: Assistant Electrical Inspector
Date:2023.01.24 12:58:59 +05:30

1. This Certificate is valid as per Information Technology Act 2000 as amended from time to time.
2. The Authenticity of this document should be verified at <http://edistrict.delhigovt.nic.in>. Any discrepancy in the details on this document when compared to those available on the website renders it invalid.
3. The onus of checking the legitimacy is on the users of this document.
4. In case of any discrepancy please inform the authority issuing this Certificate.

ISO 9001:2015 Certified Company



**CONTACT US
FOR ANY QUERY
OR QUESTIONS**

ECS LIFTS ENTERPRISES is an engineering company which manufactures various types of Elevators. Exclusive Elevators that cater to your exact requirement. The company is Approved by DELHI MCD to work at **NATIONAL TERRITORY OF DELHI &** An **ISO 9001:2015** certified company.

Our Product and Services

- Passenger lifts
- Home Lifts
- Residential Lifts
- Goods Lifts
- Automatic Door Lifts
- Manual Door Lifts
- Hydraulic Lift
- Home-Elevators
- Commercial-Elevator
- Hospital-Elevators
- Industrial-Elevators

• HEAD OFFICE

E-159 Sector 23, Sanjay Nagar,
Ghaziabad 201002

• BRANCH OFFICE

79/A, Govind Park, Som Bazar, New
Delhi

For More Information



+91 8285527792

+91 8800521889



ecs.lifts@gmail.com



www.ecslifts.com

Deal In:-

Installation, commissioning & AMC of
Various types of elevators.

Follow Us

